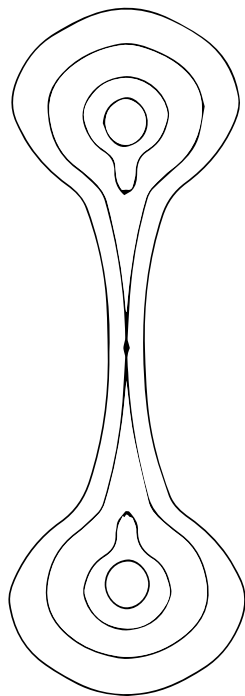
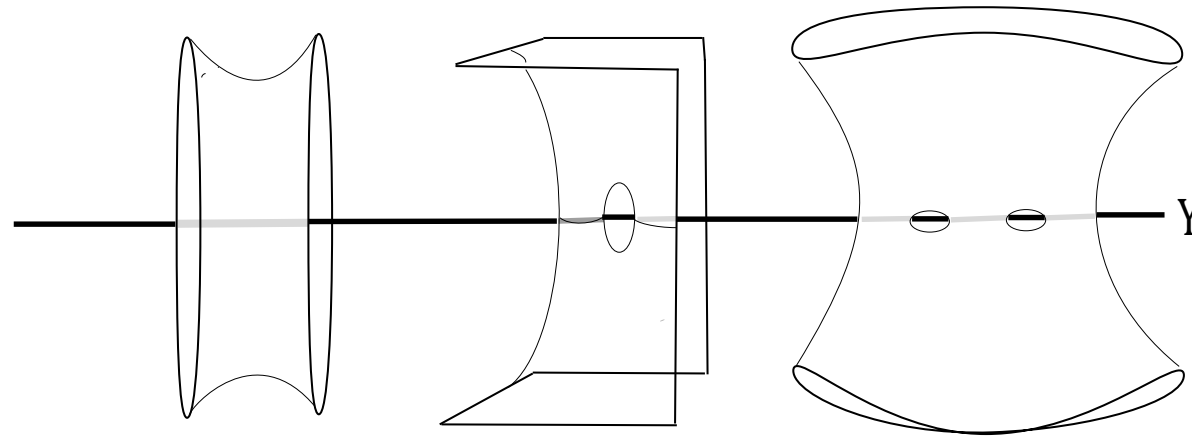
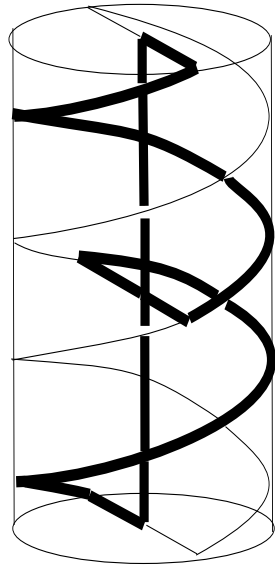


6–8 JULY 2018

STANFORD UNIVERSITY

MINIMAL SURFACES AND MEAN CURVATURE FLOW

A MEETING IN HONOR OF
BRIAN WHITE



luigi ambrosio | scuola normale superiore | pisa
fernando codá marques | princeton
toby colding | mit
camillo de lellis | zurich & ias
gerhard huisken | tübingen & oberwolfach
francisco martin | granada
bill minicozzi | mit
aaron naber | northwestern
andré neves | chicago
harold rosenberg | impa | rio de janeiro
richard schoen | stanford & irvine
tatiana toro | washington
neshan wickramasekera | cambridge